

Figure 1
Heater control circuit

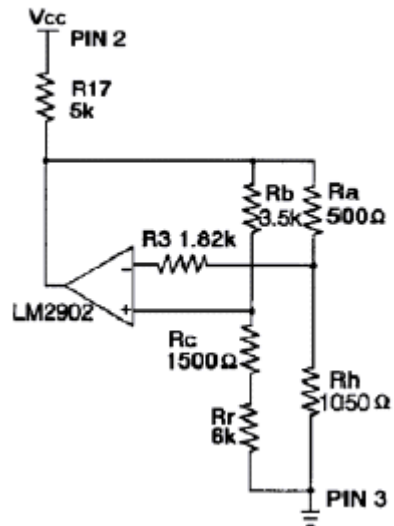


Figure 2
Sensing bridge supply circuit

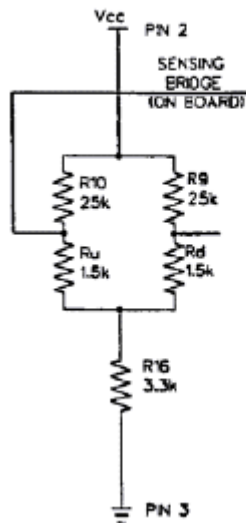


Figure 3
Differential instrumentation amplifier circuit

